

NOTE:
Please read all instructions
carefully before using this
product

Table of Contents

Safety Notice

Important Assembly
Information

Care and Maintenance

Parts List

Warranty

Ordering Parts

Model
TT-360

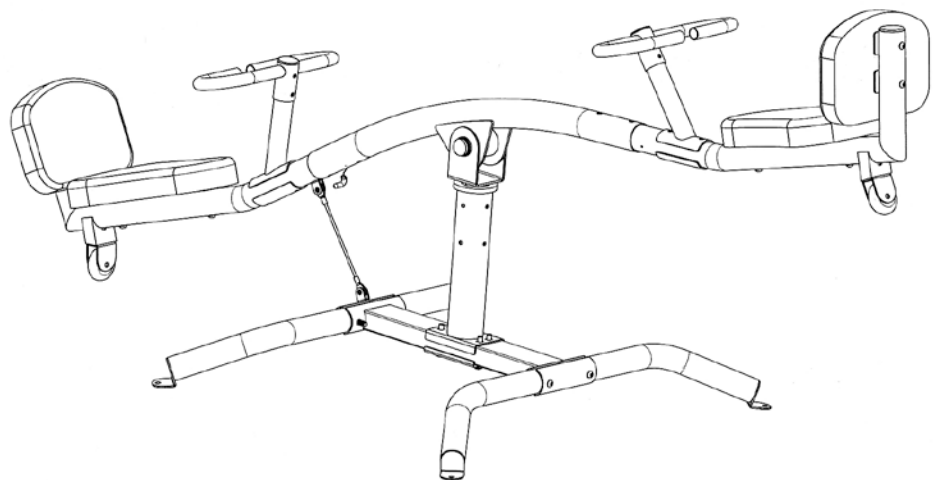
Retain This
Manual for
Reference

180119

**OWNER'S
MANUAL**

Gym Dandy®

TEETER TOTTER TT-360



IMPORTANT: Please read this manual before commencing
assembly of this product.

IMPEX® INC.

2801 South Towne Avenue, Pomona, California 91766

Tel: (800) 999-8899 Fax: (626) 961-9966

www.marcypro.com

support@impex-fitness.com

TABLE OF CONTENTS

BEFORE YOU BEGIN.....	1
IMPORTANT SAFETY NOTICES.....	2
WARNING LABEL PLACEMENT.....	4
IMPORTANT ASSEMBLY INFORMATION.....	5
CARE AND MAINTANENCE, WEIGHT CAPACITY.....	6
PARTS LIST.....	7
EXPLODED DIAGRAM.....	9
WARRANTY.....	10
ORDERING PARTS.....	10

This item conforms to ASTM F1148, Consumer Safety Performance Specification for Home Playground Equipment.

BEFORE YOU BEGIN

Thank you for selecting the Gym Dandy Teeter Totter TT-360 by IMPEX® INC. For your safety and benefit, read this manual carefully before using the equipment. As a manufacturer, we are committed to provide you complete customer satisfaction. If you have any questions, or find there are missing or damaged parts, we guarantee you complete satisfaction through direct assistance from our factory. To avoid unnecessary delays, *please call our TOLL-FREE customer service number.* Our Customer Service Agents will provide immediate assistance to you.

Toll-Free Customer Service Number
1-800-999-8899
Mon. – Fri. 9 a.m. – 5 p.m. PST
www.impex-fitness.com
info@impex-fitness.com

IMPORTANT SAFETY NOTICE

This play ground equipment is built for optimum safety. However, certain precautions apply whenever you operate a piece of play ground equipment. Be sure to read the entire manual before you assemble or operate your equipment. In particular, note the following safety precautions to reduce the likelihood of serious or fatal injury.

1. Children must be supervised at all times and never left unattended with the unit.
2. Do not install the equipment over concrete, asphalt, packed earth, grass, carpet or any other hard surface. A fall onto a hard surface can result in serious injury to the user.
3. Make sure the surfaces, either indoors or outdoors, are free of objects that may cause tipping over.
4. Place the equipment on level ground, not less than 6 ft (1.8 m) from any structure or obstruction such as fence, garage, house, overhanging branches, laundry lines, or electrical wires.
5. Make sure bystanders are at least 5 feet away from the equipment while it is in motion. No one should be allowed to walk close to, in front of, behind, or between moving items.
6. Keeps hands and feet away from the pivot area.
7. Do not get off from seat while it is in motion.
8. Do not stand on the teeter-totter. This could cause damage to the ride and result in injury.
9. Do not swing with empty seat.
10. Children should not wear loose clothing. Attire should include well-fitting shoes.
11. This teeter totter is intended for use by children from ages 3 to 9.
12. Maximum weight capacity 300 lbs.
13. Only two persons should be using the equipment at the same time.
14. Impact-absorbing material must be placed around the teeter totter. Please refer to the PLAYGROUND SURFACING MATERIALS in page 3.
15. Maximum fall height: 52 inches.
16. To prevent serious injury, children must NOT use the equipment until properly installed.
17. To prevent serious injury, parents must make warnings to children not to use this equipment in a manner other than intended.
18. To prevent serious injury, parents must make warnings to children not to attach items to the equipment that are not specifically designed for use with the equipment.
19. Children should remove their bike or other sports helmet before using this equipment.
- 20. Lock this Teeter Totter with Cable Strap when not in use.**
- 21. This Teeter Totter is for Home Use only.**
- 22. This product is to be assembled by an adult.**

SAVE THESE INSTRUCTIONS.

CONSUMER INFORMATION SHEET FOR PLAYGROUND SURFACING MATERIALS

The U.S. Consumer Product Safety Commission (CPSC) estimates that about 100,000 playground equipment-related injuries resulting from falls to the ground surface are treated annually in U.S. hospital emergency rooms. Injuries involving this hazard pattern tend to be among the most serious of all playground injuries, and have the potential to be fatal, particularly when the injury is to the head. The surface under and around playground equipment can be a major factor in determining the injury-causing potential of a fall. It is self evident that a fall onto a shock absorbing surface is less likely to cause a serious injury than a fall onto a hard surface. Playground equipment should never be placed on hard surfaces such as concrete or asphalt and while grass may appear to be acceptable it may quickly turn to hard packed earth in areas of high traffic. Shredded bark mulch, wood chips, fine sand or fine gravel are considered to be acceptable shock absorbing surfaces when installed and maintained at a sufficient depth under and around playground equipment.

The following table lists the maximum height from which a child would not be expected to sustain a life-threatening head injury in a fall onto four different loose-fill surfacing materials if they are installed and maintained at depths of 6, 9, and 12 inches. However, it should be recognized that all injuries due to falls cannot be prevented no matter what surfacing material is used.

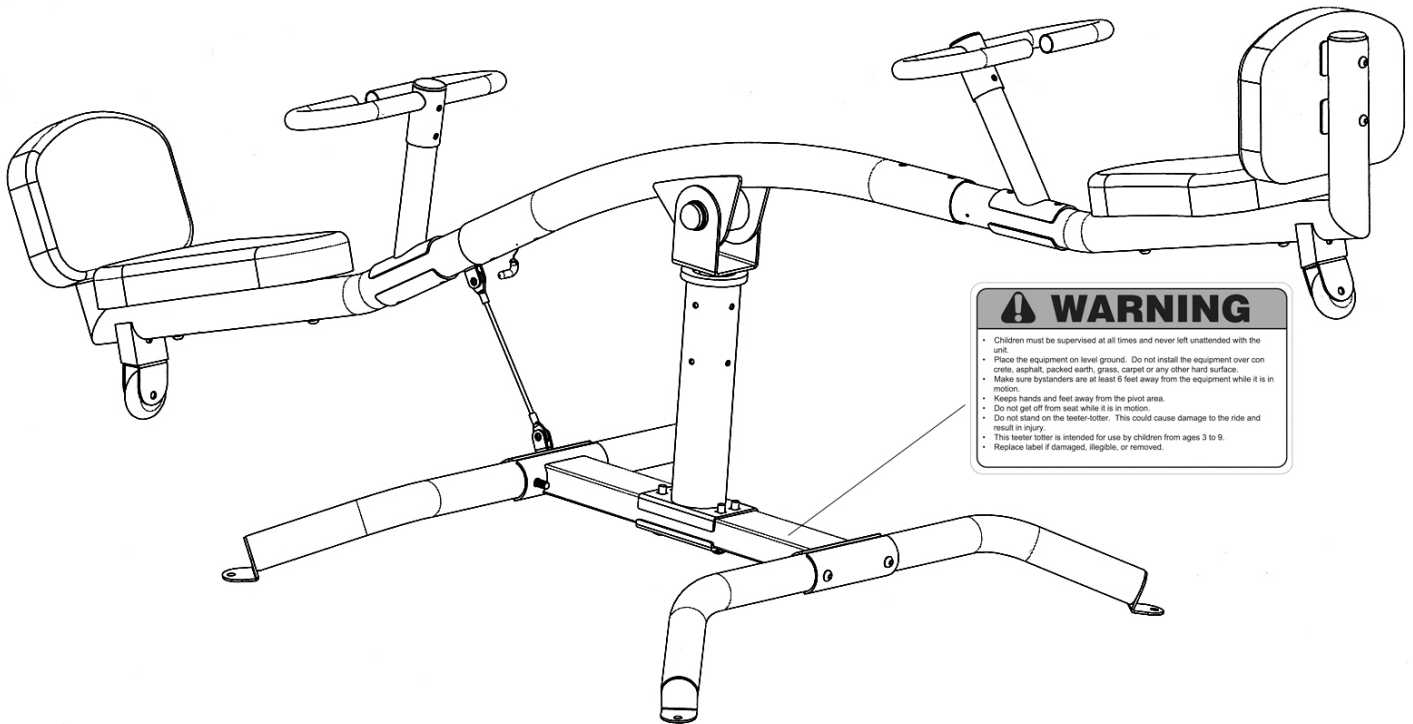
FALL HEIGHT IN FEET FROM WHICH A LIFE THREATENING HEAD INJURY WOULD NOT BE EXPECTED			
TYPE OF MATERIAL	6-INCH DEPTH	9-INCH DEPTH	12-INCH DEPTH
Double Shredded Bark Mulch	6	10	11
Wood Chips	6	7	12
Fine Sand	5	5	9
Fine Gravel	6	7	10

It is recommended that a shock absorbing material should extend a minimum of 6 feet in all directions from the perimeter of stationary equipment such as climbers and slides. However, because children may deliberately jump from a moving swing, the shock absorbing material should extend in the front and rear of a swing a minimum distance of 2 times the height of the pivot point measured from a point directly beneath the pivot on the supporting structure.

This information is intended to assist in comparing the relative shock-absorbing properties of various material. No particular material is recommended over another. However, every material is only effective when properly maintained. Materials should be checked periodically and replenished to maintain correct depth as determined necessary for your equipment. The choice of a material depends on the type and height of the playground equipment, the availability of the material in your area, and its cost.

'This information has been extracted from the CPSC publications "Playground Surfacing - Technical Information Guide" and "Handbook for Public Playground Safety." Copies of these reports can be obtained by sending a postcard to the: Office of Public Affairs, U.S. Consumer Product Safety Commission, Washington, D.C., 20207 or call the toll-free hot line: 1-800-638-2772.

WARNING LABEL PLACEMENT

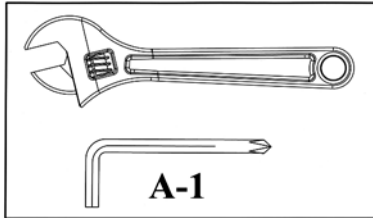


The warning labels shown here have been placed on the Base Frame. If the labels are missing or illegible, please call customer service at 1-800-888-8899 for replacements. Apply the labels in the location shown.

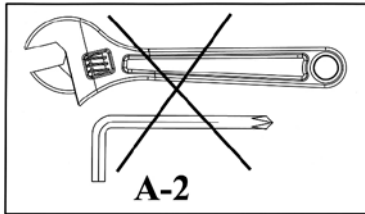
IMPORTANT ASSEMBLY INFORMATION

- ❖ Tools Required for Assembly: Two Adjustable Wrenches and Allen Wrenches.
- ❖ NOTE: It is strongly recommended that this equipment is assembled by two or more people to avoid possible injury.
- ❖ Ensure **Carriage Bolts** are inserted through the **SQUARE holes** on components that need to be assembled. Attach washer only to end of the Carriage Bolt.
- ❖ Use **Allen Bolts or Hex Bolts** inserted through the **ROUND hole** on components that need to be assembled.
- ❖ Always wait until all bolts are assembled onto the bench before tightening the bolts. Do not tighten each bolt right after it is installed

Fasten Nuts and Bolts



Securely tighten all Nuts and Bolts after all components have been assembled in current and previous steps.
NOTE: Do not over tighten any component with pivoting function.
Make sure all pivoting components are able to move freely.



Do not tighten all Nuts and Bolts in this step.

CARE AND MAINTENANCE

1. Periodically inspect all parts. Check all nuts and bolts twice monthly during the usage season for tightness and tighten as required. It is particularly important that this procedure be followed at the beginning of each season.
2. Replace any worn and damaged part immediately. Check all coverings for bolts and sharp edges twice monthly during usage season to be certain they are in place. Replace when necessary. It is especially important to do this at the beginning of each new season.
3. Cover the equipment with tarp when left outdoor.
4. Use mild household spray cleaners and/or a damp rag to wipe clean. Do not use harsh cleaning chemicals.
5. Sand rusted areas on tubular members and repaint using a non-lead based paint meeting the requirements of Title 16 CFR Part 1303.
6. Disposal Instructions – The equipment can be safely disassembled and disposed without unreasonable hazards. Call your local recycle agency regarding details of recycling.
7. During the plat season, rake and check depth of loose fill protective surfacing materials twice a month to prevent compaction and to maintain appropriate depth.
8. At the end of each play season or when temperature drops below 32°F, store the equipment in a cool dry place.
9. **Failure to examine regularly may affect the safety level of the equipment.**

WEIGHT CAPACITY AND DIMENSION

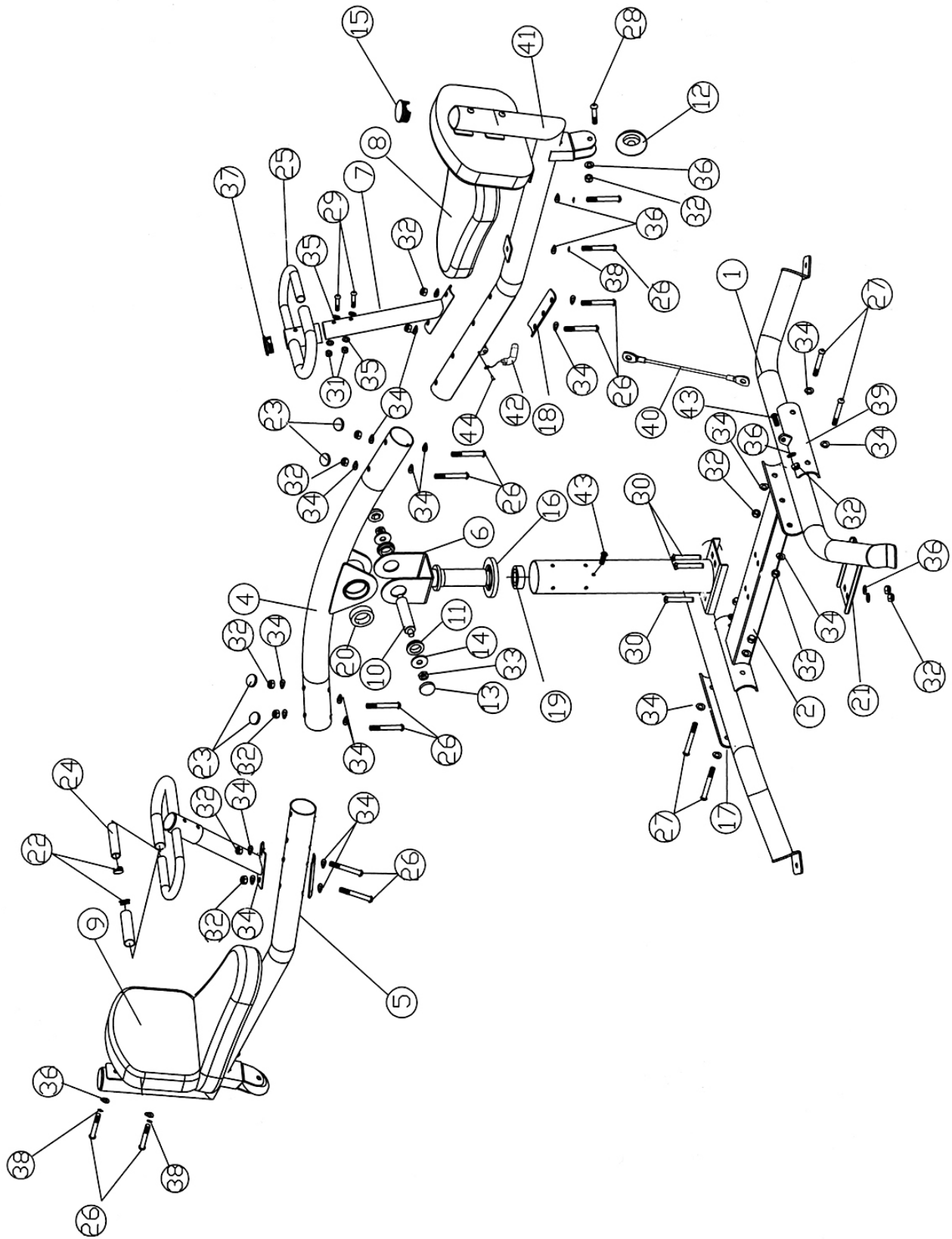
1. Maximum weight capacity: 300 lbs.
2. Assembled Dimension: 99" x 38" x 45"
3. Space required to operate this equipment: 18 ft x 18 ft

PARTS LIST

PART NO.	DESCRIPTION	SIZE	QUANTITY
1	Base Stabilizer		2
2	Base Frame		1
3	Center Post		1
4	Middle Arc Tube		1
5	Seat Support		1
6	Pivot Support		1
7	Handle Post		2
8	Seat Pad		2
9	Back Pad		2
10	Axle	M12 x 4 7/8"	1
11	Metal Bushing	Ø 1" x Ø 1 5/8"	2
12	Roller Wheel		2
13	Nut Cap	Ø ½"	2
14	Spacer	Ø ½" x Ø 1 3/8"	2
15	Seat Support Tube End Cap	Ø 2 1/8"	2
16	Nylon Spacer		1
17	Curved Bracket	6 ¼" x R25	1
18	Curved Bracket	4 ¾" x R28	2
19	Ball Bearings	51208	1
20	Ball Bearings	6205	2
21	U-shaped Bracket	5 ½" x 3 ½"	1
22	Handle End Cap	Ø 1 "	4
23	Nut Cap	Ø 3/8"	4
24	Handle Grip	4 3/8"	4
25	Handle		2
26	Allen Bolt	M10 x 3"	16
27	Allen Bolt	M10 x 2 ¾"	4
28	Allen Bolt	M10 x 1 ¾"	2
29	Allen Bolt	M8 x 2 1/8"	4
30	Carriage Bolt	M10 x 2 ¼"	4
31	Aircraft Nut	M8	4
32	Aircraft Nut	M10	19
33	Nut Cap	M12	2
34	Curved Washer	Ø ¾"	24
35	Curved Washer	Ø 5/8"	8
36	Flat Washer	Ø ¾"	15
37	Handle End Cap	Ø 1 5/8"	2
38	Lock Washer	Ø ¾"	8

39	Cable Strap Bracket	6 ¼" x R25	1
40	Cable Strap		1
41	Seat Support With Cable Bracket		1
42	L-shaped Lock Pin		1
43	Allen Bolt	M10 x 1"	2
44	Philips Screw	Self-taping M5 x ½"	1

EXPLODED DIAGRAM



IMPEX[®] INC.

LIMITED WARRANTY

IMPEX Inc. ("IMPEX[®]") warrants this product to be free from defects in workmanship and material, under normal use and service conditions, for a period of two years on the Frame from the date of purchase. This warranty extends only to the original purchaser. IMPEX's obligation under this Warranty is limited to replacing or repairing, at IMPEX's option.

All returns must be pre-authorized by IMPEX. Pre-authorization may be obtained by calling IMPEX Customer Service Department at 1-800-999-8899. All freights on products returned to IMPEX must be prepaid by the customer. This warranty does not extend to any product or damage to a product caused by or attributable to freight damage, abuse, misuse, improper or abnormal usage or repairs not provided by an IMPEX authorized service center or for products used for commercial or rental purposes. No other warranty beyond that specifically set forth above is authorized by IMPEX.

IMPEX is not responsible or liable for indirect, special or consequential damages arising out of or in connection with the use or performance of the product or other damages with respect to any economic loss, loss of property, loss of revenues or profits, loss of enjoyments or use, costs of removal, installation or other consequential damages or whatsoever natures. Some states do not allow the exclusion or limitation of incidental or consequential damages. Accordingly, the above limitation may not apply to you.

The warranty extended hereunder is in lieu of any and all other warranties and any implied warranties of merchantability or fitness for a particular purpose is limited in its scope and duration to the terms set forth herein. Some states do not allow limitations on how long an implied warranty lasts. Accordingly, the above limitation may not apply to you.

This warranty gives you specific legal right. You may also have other rights which vary from state to state.
Register on-line at www.marcypro.com

IMPEX[®] INC.
2801 South Towne Avenue,
Pomona, California 91766

ORDERING REPLACEMENT PARTS

Replacement parts can be ordered by calling our Customer Service Department toll-free at **1-800-999-8899** during our regular business hours: Monday through Friday, 9 am until 5 pm Pacific standard time.

support@impex-fitness.com

When ordering replacement parts, always give the following information.

1. Model
2. Description of Parts
3. Part Number
4. Date of Purchase